

ROUGH - IN
Installation Drawing #1

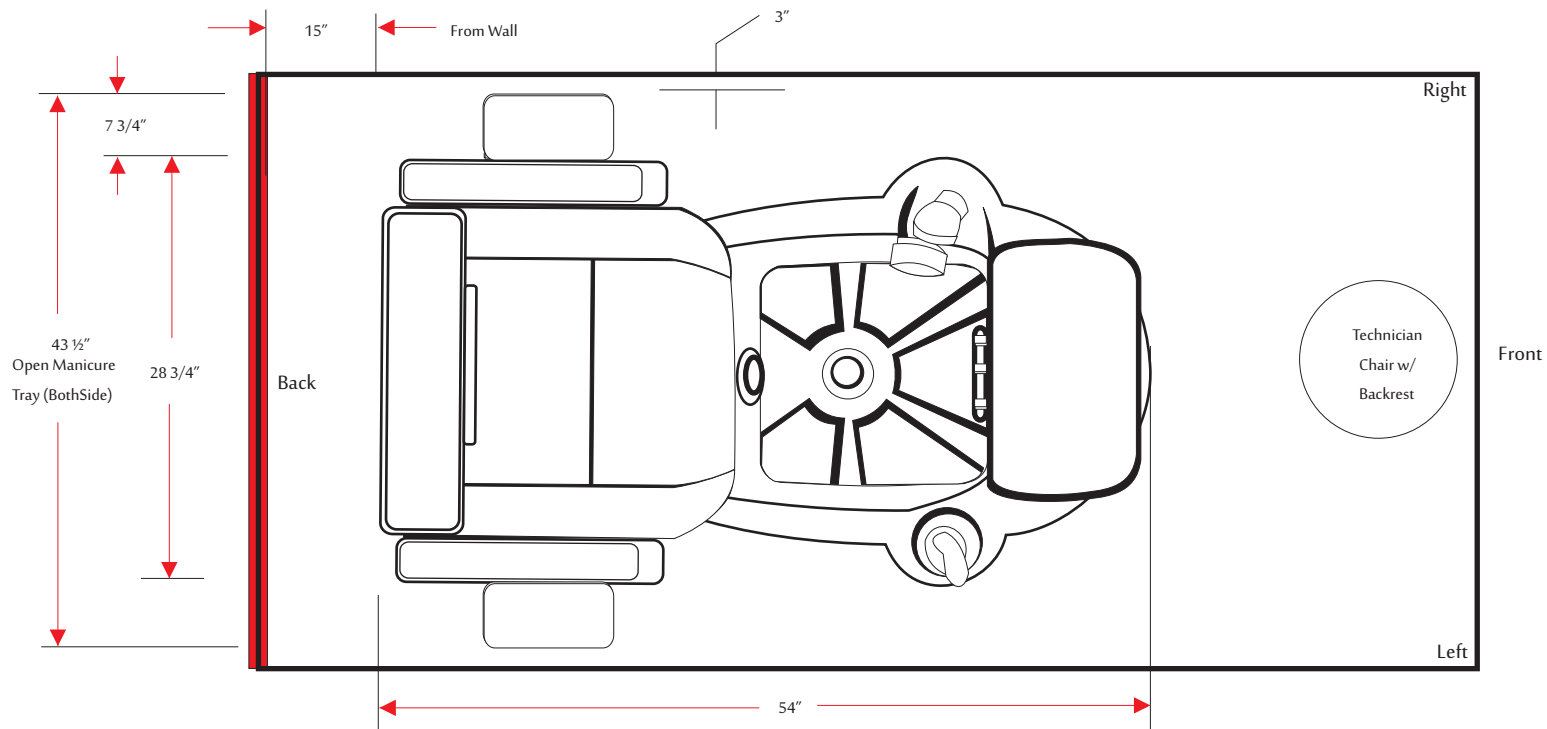
CAUTION - IMPORTANT

THIS DRAWING IS **NOT** COMPLETE UNLESS ACCOMPANIED BY PAGE 1 OF 2 ENTITLED: "INSTALLATION AND ROUGH IN INFORMATION".

PLEASE REVIEW ALL INFORMATION CAREFULLY.

Electrical Requirements:

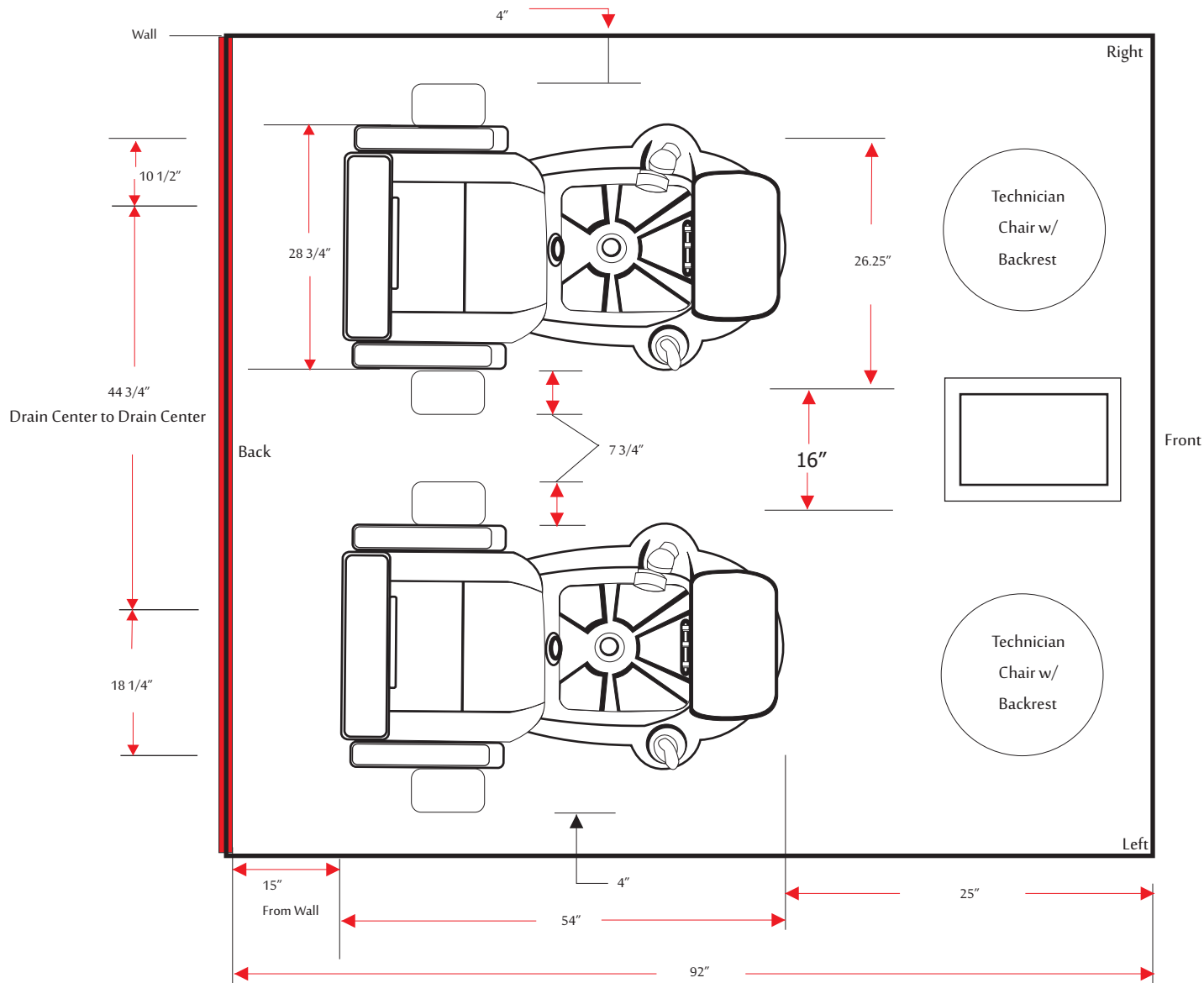
One dedicated GFCI protected wall outlet (15 amp.) MUST be used per unit



LEGEND:
All Dimensions are in inches.

	Aug. 2010
MFG	J&A USA INC.
Model	Petra-RMX
Website	www.jausainc.com

ROUGH - IN
Installation Drawing #2



Electrical Requirements:
One dedicated GFCI protected wall outlet (15 amp.) MUST be used per unit

VERY IMPORTANT
DEPENDING ON USE OF MANICURE TRAYS AND/OR CARTS, THE DISTANCE BETWEEN PEDICURE CHAIRS CAN VARY. THIS MUST BE DISCUSSED PRIOR TO INSTALLATION IN ORDER TO ENSURE ADEQUATE WORKING SPACE.

Note:
1-All Dimensions are in inches.
2-All Dimensions are reference to installation purpose only

	Aug. 2010
MFG	J&A USA INC.
Model	PETRA RMX
Website	www.jausainc.com

ROUGH - IN
Installation Drawing #3

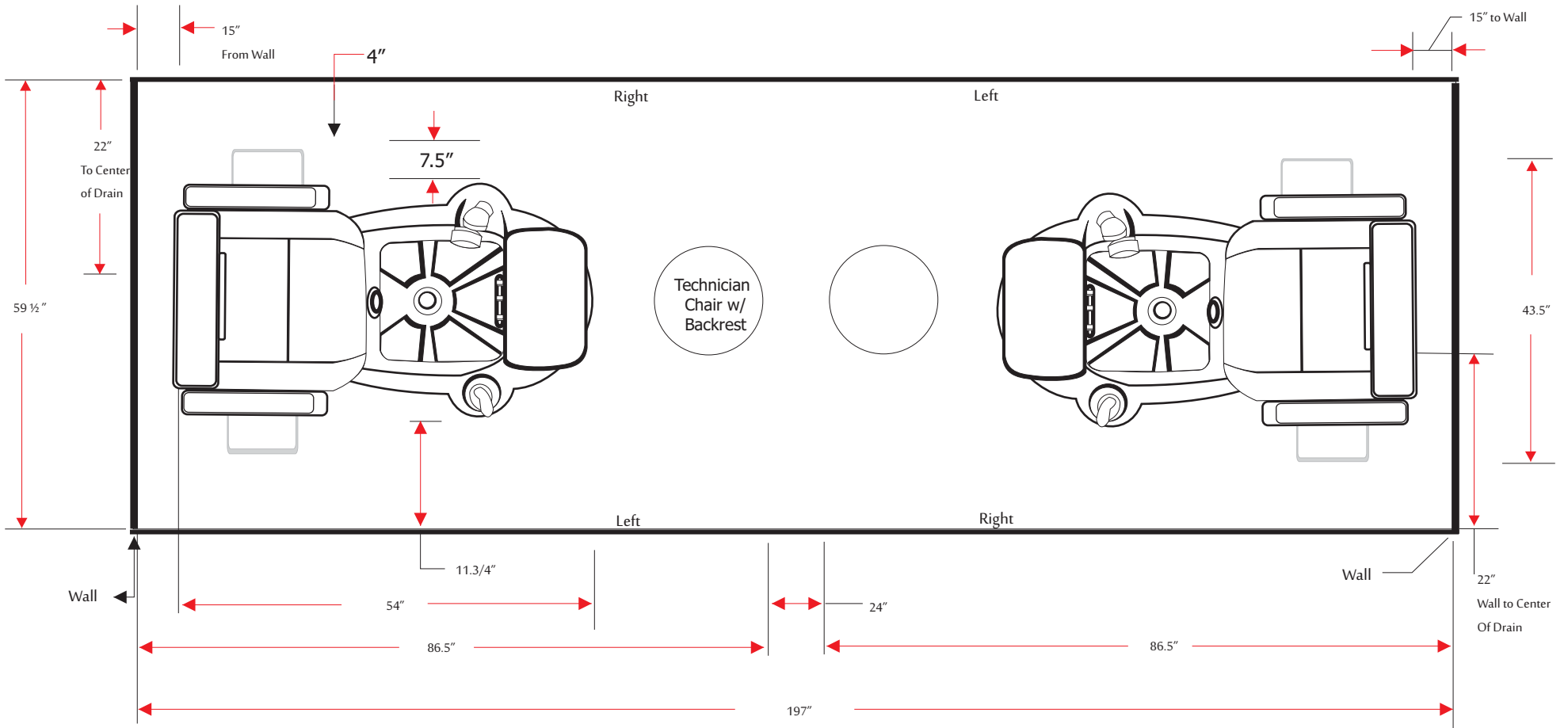
CAUTION - IMPORTANT

THIS DRAWING IS **NOT** COMPLETE UNLESS ACCOMPANIED BY PAGE 1 OF 2 ENTITLED: "INSTALLATION AND ROUGH IN INFORMATION".

PLEASE REVIEW ALL INFORMATION CAREFULLY.

Electrical Requirements:

One dedicated GFCI protected wall outlet (15 amp.) **MUST** be used per unit



LEGEND:

- 1-All Dimensions are in inches.
- 2-All Dimensions are reference to installation purpose only

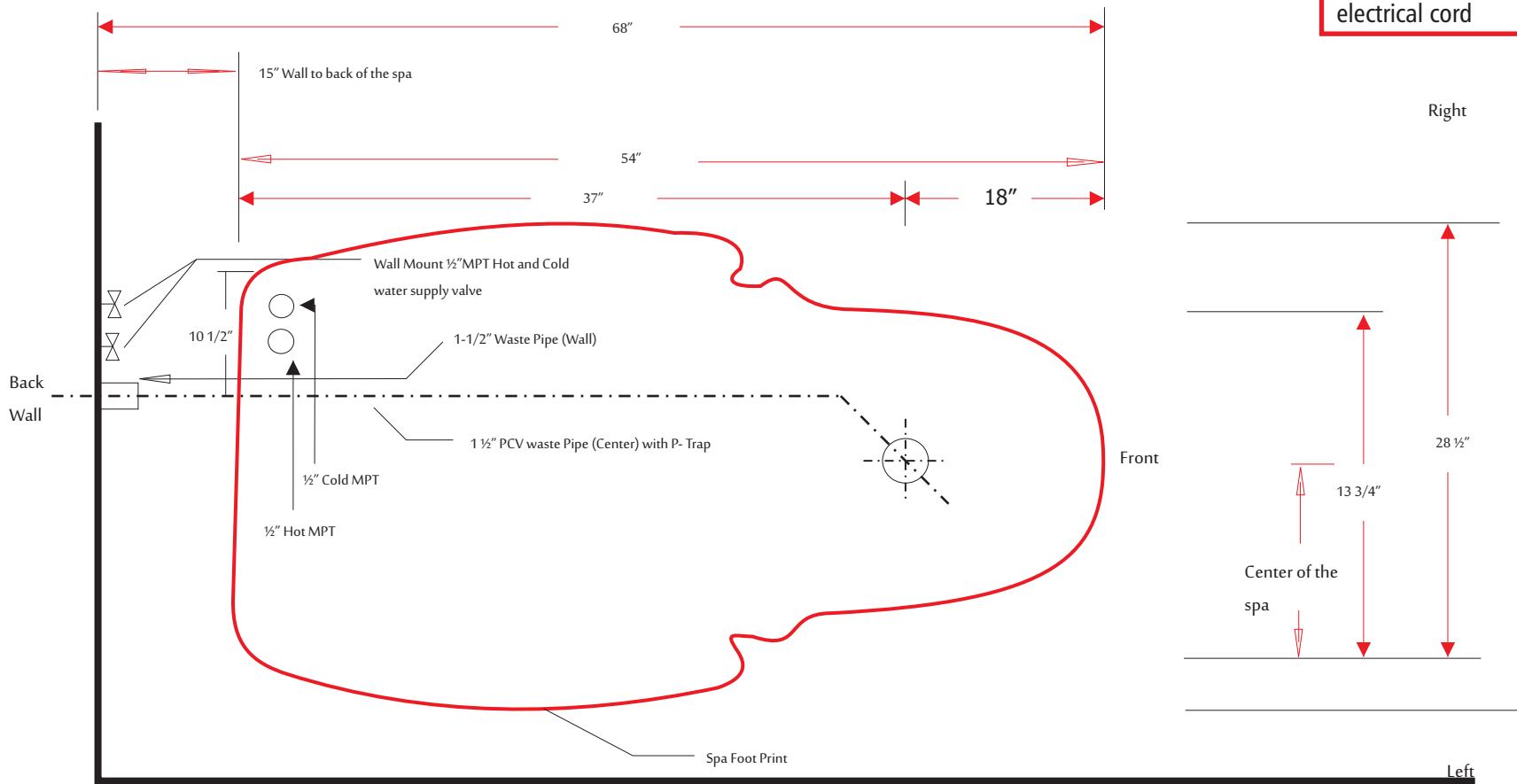
	Aug 2010
MFG	J&A USA INC.
Model	PETRA RMX
Website	www.jausainc.com

ROUGH - IN
Installation Drawing #4

Electrical Requirements:

One dedicated GFCI protected wall outlet (15 amp.)MUST be used per unit

Each unit will be supplied with standard three ground electrical cord



Note:
1-All Dimensions are in inches.
2-All Dimensions are reference to installation purpose only

Note:
For multiple units side by side lay out / see dimensions

	Aug 2010
MFG	J&A USA INC.
Model	PT-RMX
Website	www.jausainc.com