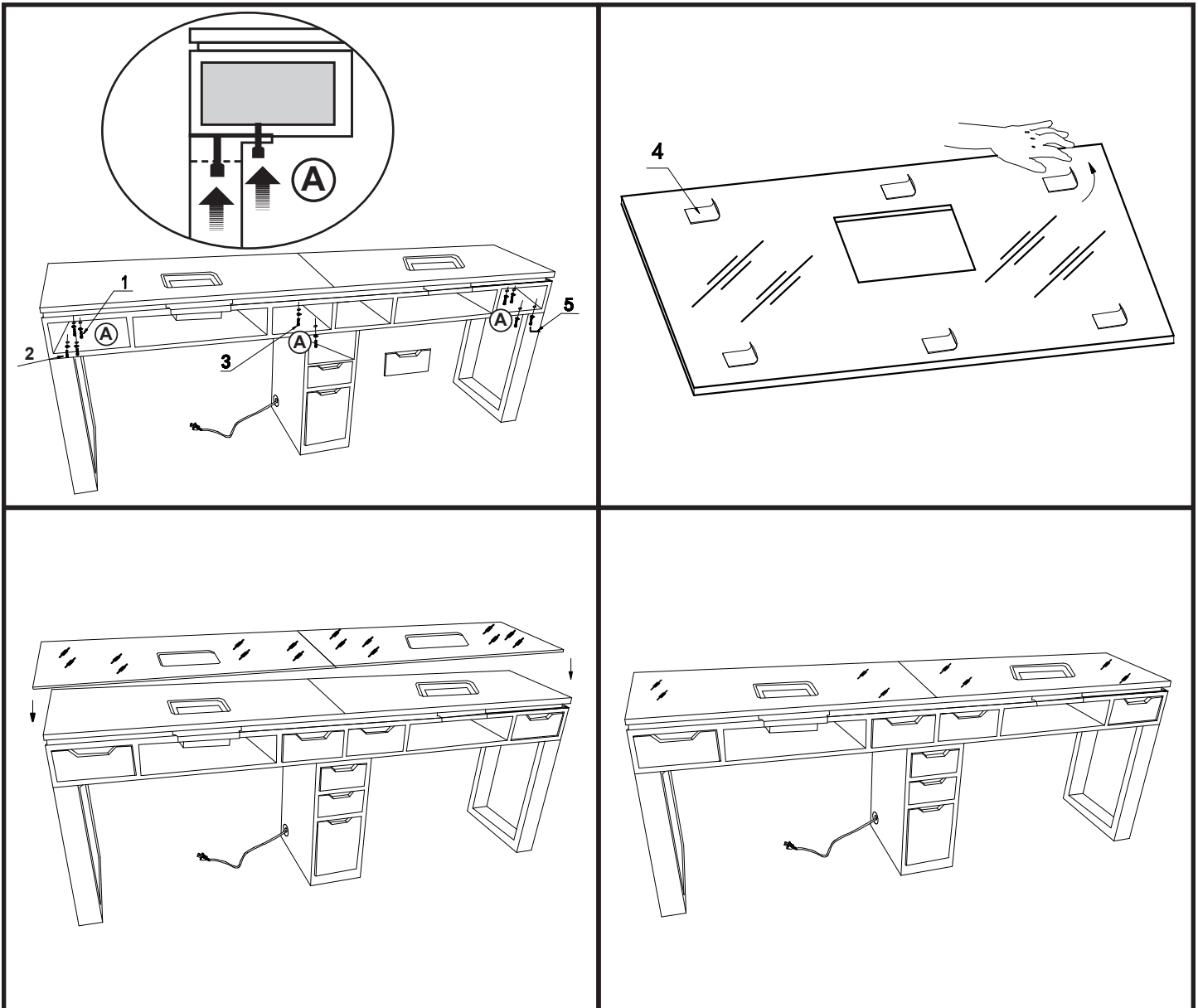
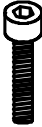


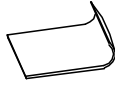
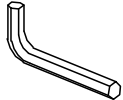


INSTRUCTIONS

Valentino Lux Double Table

Read through the instructions before installation and use. Please make sure that all parts are removed from the box before discarding the box.



<p>1</p>  <p>M6X40</p>	<p>2</p>  <p>M6X60</p>	<p>3</p> 	<p>4</p> 	<p>5</p> 
<p>Screws-6pcs</p>	<p>Screws-4pcs</p>	<p>Washers-10pcs</p>	<p>Sticker-12pcs</p>	<p>Wrench-1pc</p>