

INSTALLATION AND ROUGH-IN INFORMATION

IMPORTANT - This sheet MUST accompany each Installation Drawing

IMPORTANT: Echo® / Vantage™ or Echo® Plus / Vantage™ Plus Pedicure Chairs MUST be installed by a licensed electrician and a licensed plumber in accordance with all national, state and local codes/regulations.

IMPORTANT: Special Installation Requirements Pertaining To The State of Wisconsin

Gravity Drain

Pedicure chairs installed in this manner (Gravity Drain) MUST be treated like a bathtub installation and connect directly to the fixture trap most likely below the floor. Approved couplings (i.e. Fernco or Clamp All) may be utilized.

Pump Discharge

The pump discharge MUST terminate into an approved receptor with an air break. An air gap is not required.

- Upper dimensions are in inches, lower dimensions [] are in centimeters.
- **DEPENDING ON THE USE OF MANICURE TRAYS, THE EXACT DISTANCE BETWEEN PEDICURE CHAIRS WILL VARY GREATLY. THIS MUST BE DISCUSSED PRIOR TO INSTALLATION TO ENSURE ADEQUATE WORKING SPACE.**
A cup holder on the right side (as one sits in the chair) is standard on the Echo. There is no cup holder on a Standard Vantage. Please contact Continuum Footspas if additional information is required.
- **IMPORTANT! PLEASE DISCUSS CURVED PANELS WITH CUSTOMERS**
When replacing pedicure chairs, the curved plastic panels that are standard on most Continuum models may NOT cover existing connections beneath older pedicure chairs. Concealment Panels that extend to the floor will address this issue.
Curved Concealment Panels that extend to the floor MUST be specified AT TIME OF ORDERING.
- **Electrical Requirements:** One (1) dedicated 15 amp, GFCI protected wall outlet/circuit per unit located within two (2) feet of the rear of the pedicure chair. (Actual draw is 5 amps) Each pedicure chair will be supplied with a standard four (4) foot grounded power cord. If utilizing an in-floor electrical box (EB), position box underneath curved plastic shrouds centered between H/C water inlets.
- **Water Supply:** One (1) each 1/2" hot and cold water supply. Locate shut-offs on the wall behind the pedicure chair (suggested range 4" to 12" apart on center, 4" to 8" A.F.F. (above finished floor) or may be roughed in through the floor as noted on Drawing #3. Provide 1/2" shut off valves and 1/2" MPT connections.
- Installation of optional drain pump MUST be noted on original customer order. Drain pump MUST be factory installed.
- If wall drain is utilized, 3/4" ID MPT should be installed. Suggested location is centered between Hot and Cold water supply inlets, 4" to 8" A.F.F. Use 3/4" ID hose to connect pedicure chair to wall drain.

SPECIAL INFORMATION REGARDING GRAVITY DRAIN INSTALLATIONS

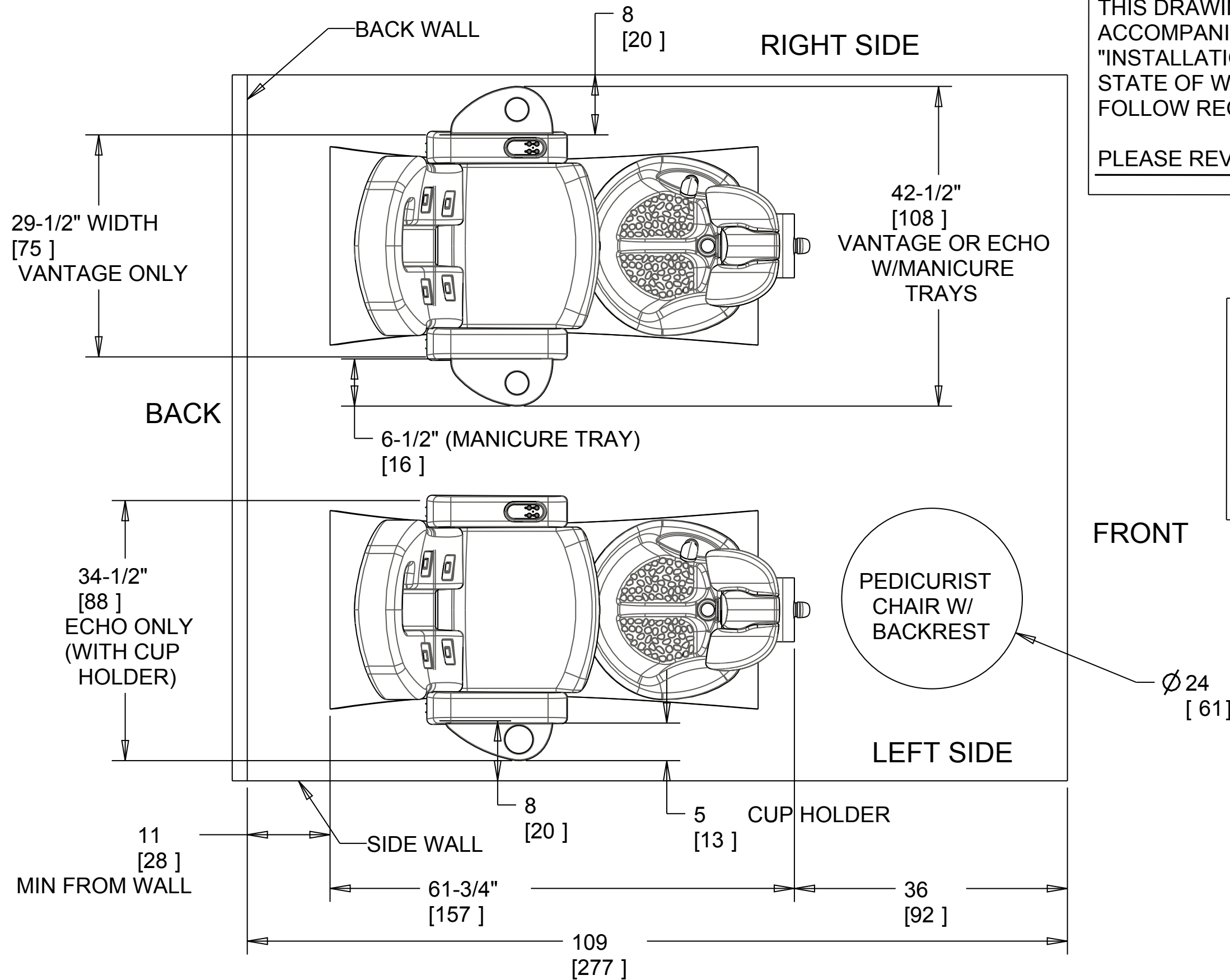
- Always check with local plumbing inspectors for possible special requirements pertaining to pedicure chairs.
- Gravity drain is always preferred. If drain pump is NOT required, unit should be ordered WITHOUT drain pump.
- For gravity drain installations, refer to Plumbing Rough-In **Drawing #3**. If an air gap is required, also refer to **Drawing #4**.
- Gravity drain: Basin outlet is 1-1/2" female PVC. Rough-in: 3" minimum Hub Drain is recommended, 2" A.F.F.
- With **Standard Through Floor Installation**, it is recommended both H/C supply lines be located in the back portion of the spa (see Drawing #3). Electrical box may be centered between supply lines. Attempting to locate supply lines near the hub drain is possible but difficult due to space constraints, consequently it is NOT recommended. However, if supply lines are located in front, they remain 3.5" left and right of C/L and 7" back from C/L of hub drain.



CAUTION - EXTREMELY IMPORTANT

THIS DRAWING IS NOT COMPLETE UNLESS ACCOMPANIED BY "PAGE 1 OF 2" ENTITLED: "INSTALLATION AND ROUGH-IN INFORMATION". STATE OF WISCONSIN INSTALLATIONS MUST FOLLOW REQUIREMENTS AS NOTED ON "PAGE 1 OF 2".

PLEASE REVIEW ALL INFORMATION CAREFULLY.



VERY IMPORTANT

DEPENDING ON USE OF MANICURE TRAYS AND/OR CARTS, THE DISTANCE BETWEEN PEDICURE CHAIRS CAN VARY GREATLY. THIS MUST BE DISCUSSED PRIOR TO INSTALLATION IN ORDER TO ENSURE ADEQUATE WORKING SPACE.

LEGEND:
UPPER DIMENSIONS ARE IN INCHES
LOWER DIMENSIONS [] ARE IN CENTIMETERS

**INSTALLATION DRAWING #1 - ECHO/VANTAGE
OVERALL DIMENSIONS**

(MARCH, 2012)

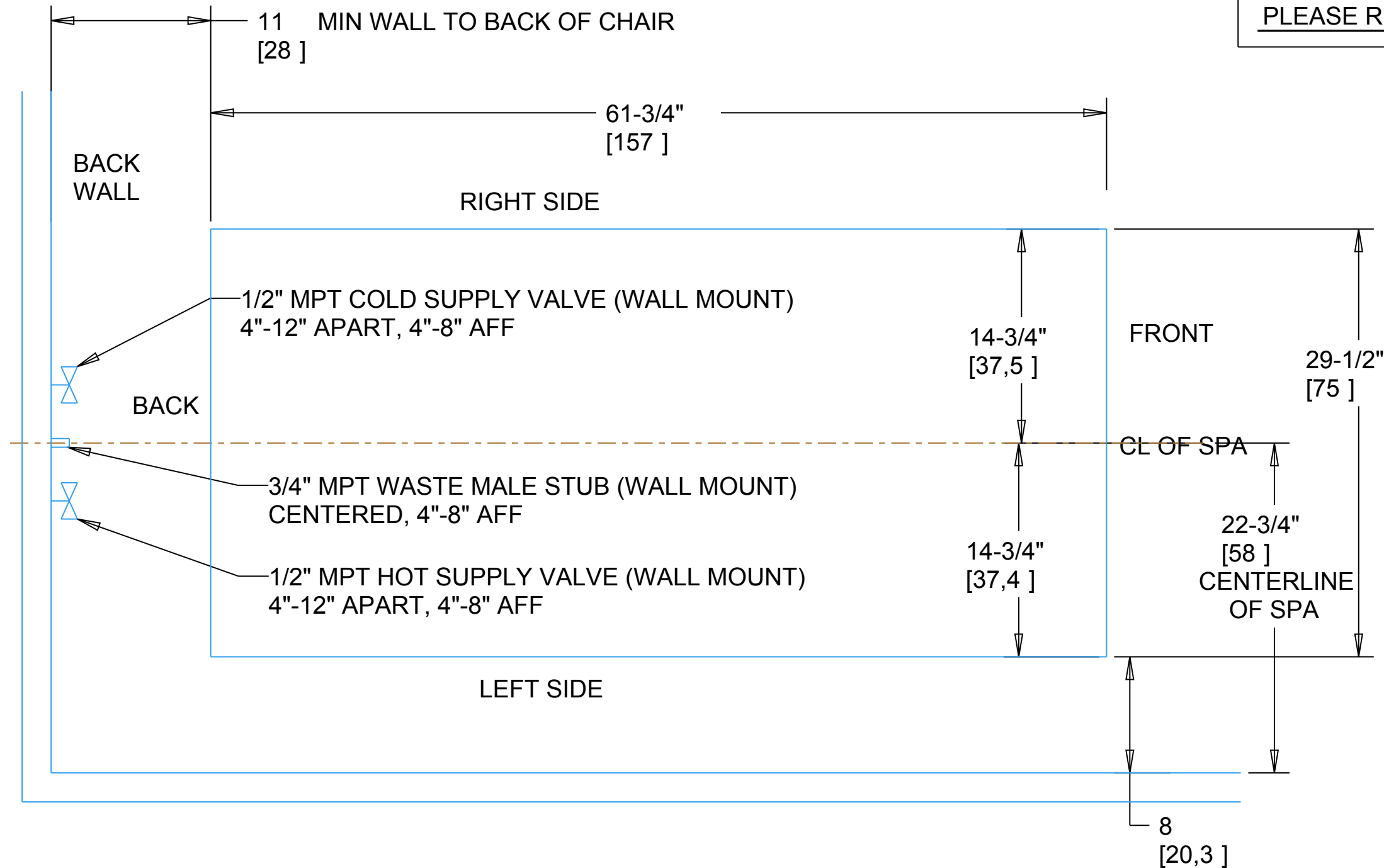
CONTINUUM FOOTSPAS
MODEL: ECHO™/VANTAGE™
PH - 877-255-3030
WWW.CONTINUUMFOOTSPAS.COM

INSTALLATION DRAWING #2 - ECHO/VANTAGE -
 BACK WALL DISCHARGE (OPTIONAL DRAIN PUMP)
 PAGE 2 OF 2

CAUTION - EXTREMELY IMPORTANT

THIS DRAWING IS NOT COMPLETE UNLESS
 ACCOMPANIED BY "PAGE 1 OF 2" ENTITLED:
 "INSTALLATION AND ROUGH-IN INFORMATION".
 STATE OF WISCONSIN INSTALLATIONS MUST
 FOLLOW REQUIREMENTS AS NOTED ON "PAGE 1 OF 2".

PLEASE REVIEW ALL INFORMATION CAREFULLY.



VERY IMPORTANT
 DEPENDING ON USE OF MANICURE TRAYS
 AND/OR CARTS, THE DISTANCE BETWEEN
 PEDICURE CHAIRS CAN VARY GREATLY.
 THIS MUST BE DISCUSSED PRIOR TO
 INSTALLATION IN ORDER TO ENSURE
 ADEQUATE WORKING SPACE.

LEGEND:
 UPPER DIMENSIONS ARE IN INCHES
 LOWER DIMENSIONS [] ARE IN CENTIMETERS

(MARCH, 2012)

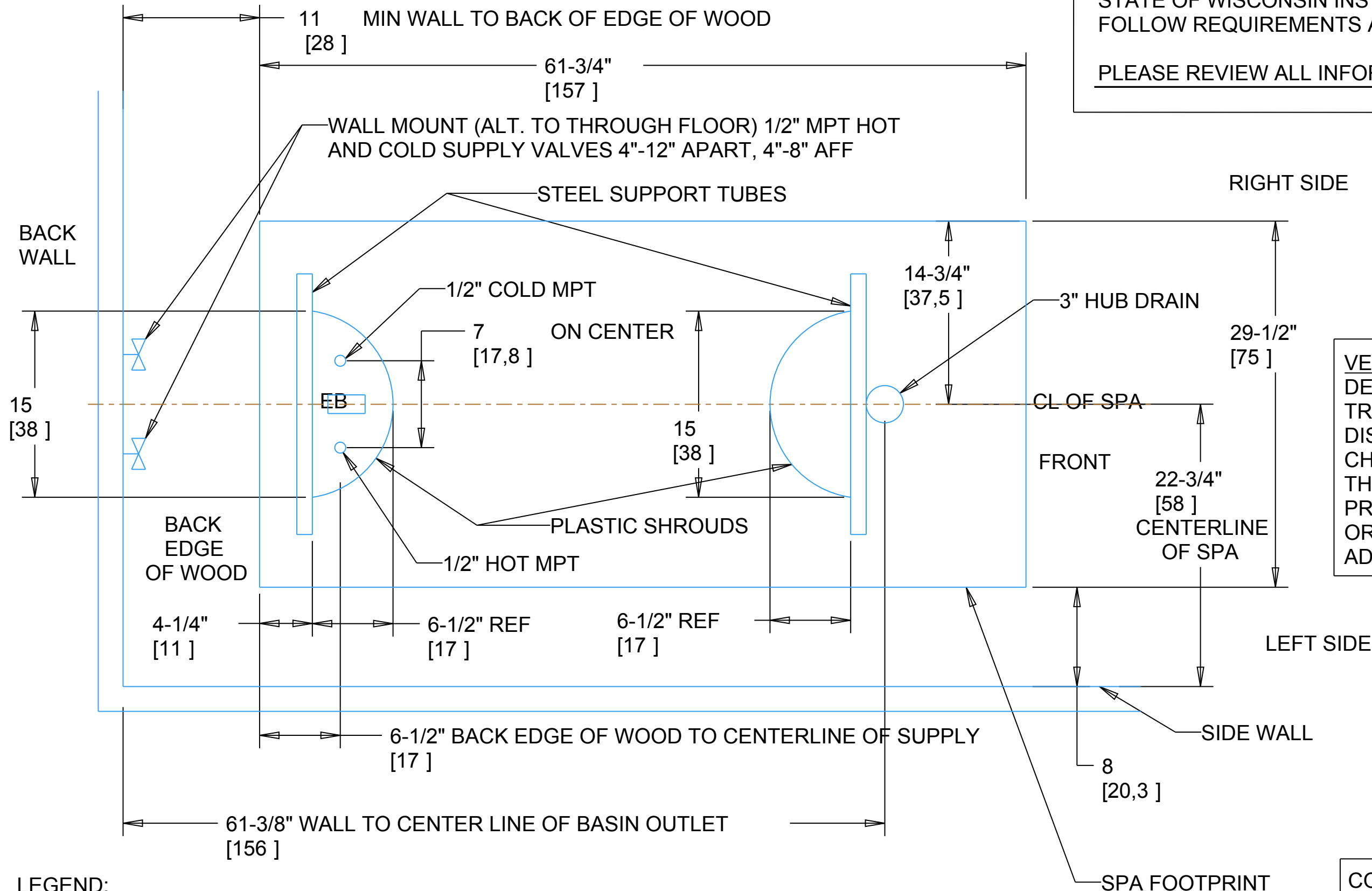
CONTINUUM FOOTSPAS
 MODEL: ECHO™/VANTAGE™
 PH - 877-255-3030
 WWW.CONTINUUMFOOTSPAS.COM

INSTALLATION DRAWING #3 - ECHO/VANTAGE - PLUMBING ROUGH-IN, STANDARD THROUGH FLOOR PAGE 2 OF 2

CAUTION - EXTREMELY IMPORTANT

THIS DRAWING IS NOT COMPLETE UNLESS ACCOMPANIED BY "PAGE 1 OF 2" ENTITLED: "INSTALLATION AND ROUGH-IN INFORMATION". STATE OF WISCONSIN INSTALLATIONS MUST FOLLOW REQUIREMENTS AS NOTED ON "PAGE 1 OF 2".

PLEASE REVIEW ALL INFORMATION CAREFULLY.



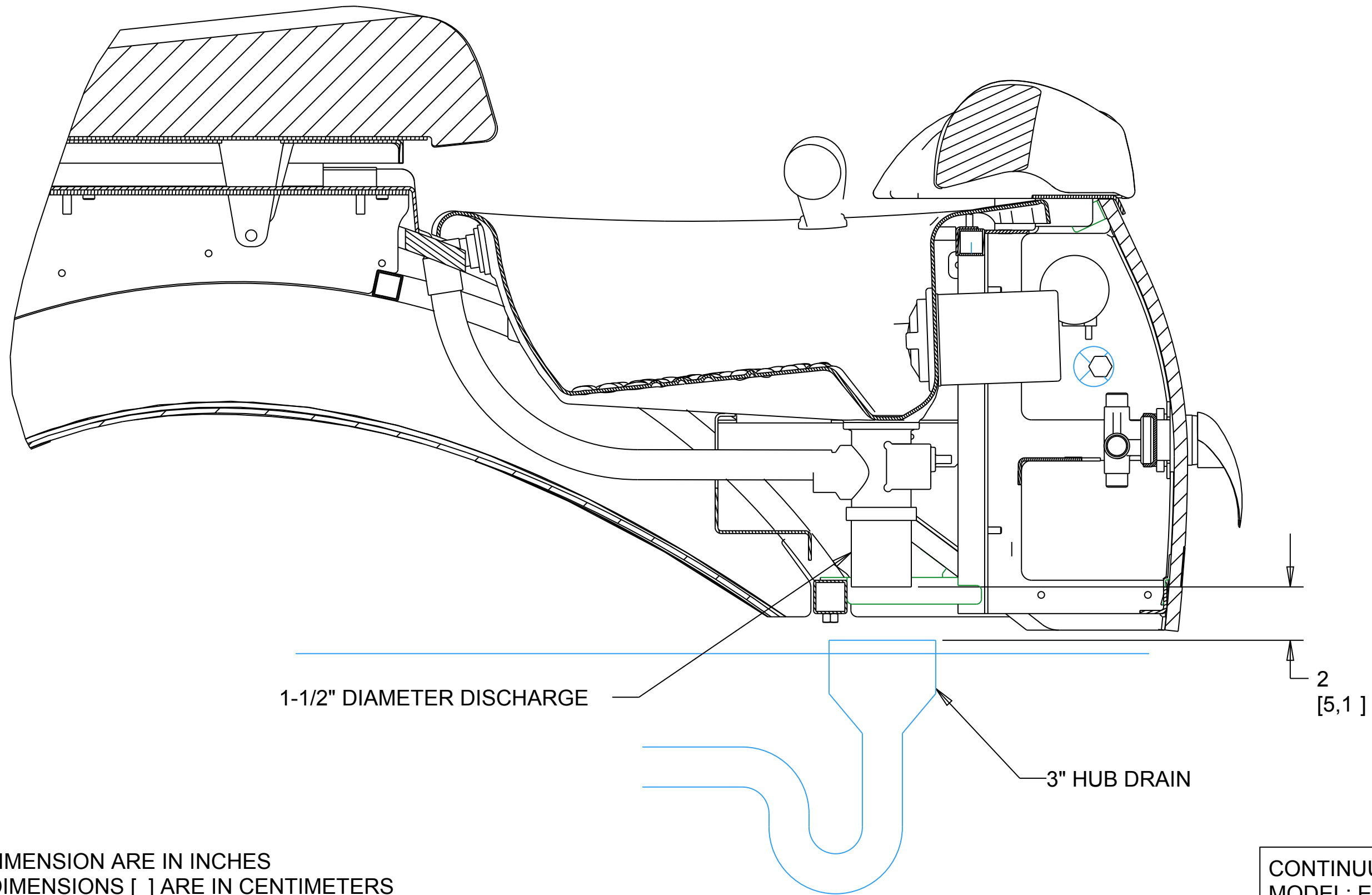
VERY IMPORTANT
DEPENDING ON USE OF MANICURE TRAYS AND/OR CARTS, THE DISTANCE BETWEEN PEDICURE CHAIRS CAN VARY GREATLY. THIS MUST BE DISCUSSED PRIOR TO INSTALLATION IN ORDER TO ENSURE ADEQUATE WORKING SPACE.

LEGEND:
UPPER DIMENSIONS ARE IN INCHES
LOWER DIMENSIONS { } ARE IN CENTIMETERS

(MARCH, 2012)

CONTINUUM FOOTSPAS
MODEL: ECHO™/VANTAGE™
PH - 877-255-3030
WWW.CONTINUUMFOOTSPAS.COM

INSTALLATION DRAWING #4 - ECHO/VANTAGE -
INDIRECT WASTE RECEPTOR (IF AIR GAP IS REQUIRED BY LOCAL CODE)
PAGE 2 OF 2



1-1/2" DIAMETER DISCHARGE

3" HUB DRAIN

2
[5,1]

LEGEND:
UPPER DIMENSION ARE IN INCHES
LOWER DIMENSIONS [] ARE IN CENTIMETERS

(MARCH, 2012)

CONTINUUM FOOTSPAS
MODEL: ECHO™/VANTAGE™
PH - 877-255-3030
WWW.CONTINUUMFOOTSPAS.COM